

USER AND INSTALLATION MANUAL

MAG:CFX®

ENGLISH

# /CO2GUN II.®



CO2 FX

**PART01169**

rev 01-02

## DISCLAIMER

---

### **⚠ WARNING**

Read this manual carefully before installing and/or using this product. Failure to read the manual and to follow the printed instructions may lead to personal injury and/or damage to the product.

---

© 2019 MAGICFX®  
All rights reserved.

Nothing from this publication may be copied, reproduced and/or published by means of printing, photocopying or by any other means, without the prior written approval of MAGIC FX.

MAGIC FX reserves the right to modify specifications stated in this manual.

## TRADEMARKS

Any brand names mentioned in this manual are registered trademarks of their respective owners.

## LIABILITY

MAGIC FX accepts no liability for claims from third parties arising from unauthorised use, use other than that stated in this manual, and use other than in accordance with the General Conditions registered at the Chamber of Commerce.

We further refer to the General Conditions. These are available on request, free of charge.

Although considerable care has been taken to ensure a correct and comprehensive description of all relevant components, the manual may nonetheless contain errors and inaccuracies.

Should you detect any errors or inaccuracies in the manual, we would be grateful if you would inform us. This helps us to further improve our documentation.

# TABLE OF CONTENTS

Disclaimer	2
Trademarks	2
Liability	2
Foreword	4
Language	4
Revision table	4
<b>1 Meet the MAGICFX® CO2GUN III!</b>	<b>5</b>
<b>1.1 Main parts</b>	<b>5</b>
<b>1.2 Product identification</b>	<b>5</b>
<b>1.3 Technical data</b>	<b>6</b>
<b>1.4 Accessories</b>	<b>6</b>
<b>2 Shoot safely!</b>	<b>7</b>
<b>2.1 General safety rules</b>	<b>7</b>
<b>2.2 CO<sub>2</sub></b>	<b>7</b>
<b>2.3 Indoor use</b>	<b>8</b>
<b>2.4 Noise level</b>	<b>8</b>
<b>2.5 Safety symbols</b>	<b>8</b>
<b>2.6 Precautions for operation</b>	<b>9</b>
<b>3 Let's shoot!</b>	<b>10</b>
<b>3.1 Connect CO<sub>2</sub></b>	<b>10</b>
<b>3.2 Shoot</b>	<b>12</b>
<b>3.3 Clean up</b>	<b>14</b>
<b>4 Troubleshooting</b>	<b>17</b>
<b>5 Maintenance</b>	<b>17</b>
<b>6 Declaration of Conformity</b>	<b>18</b>

## FOREWORD

Congratulations! You have bought a great new product from MAGIC FX.

This manual contains all information required for the intended use of the equipment. Deviation from the described intended use can result in a hazardous situation and/or property damage.

This manual includes notes and warnings on safe operation of the equipment. These notes and warnings are accompanied by the following icons. Read them attentively!

---

**⚠ DANGER**

Indicates a hazardous situation that, if not avoided, will result in death or serious injury. This signal word is to be limited to the most extreme situations.

---

---

**⚠ WARNING**

Indicates a hazardous situation that, if not avoided, could result in death or serious injury.

---

---

**⚠ CAUTION**

Indicates a hazardous situation that, if not avoided, could result in minor or moderate injury.

---

---

**NOTICE**

Indicates information considered important, but not hazard-related (e.g. messages relating to property damage).

---

## LANGUAGE

This document contains the original instructions in English. In case you require other languages please contact MAGIC FX.

## REVISION TABLE

Doc nr	Revision	Date	Description	Author	Approved
PART01669	01-00	29-08-2017	Initial release	TFR	TVA
PART01669	01-01	01-08-2019	Electrostatic notice, A4 to A5 format, accessories changes	TFR	TVA
PART01669	01-02	01-11-2021	Directive correction	NE	WH

# 1 MEET THE MAGICFX® CO2GUN II!

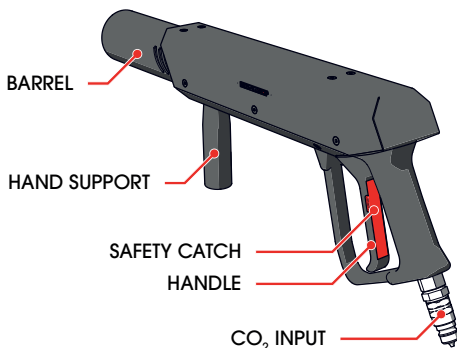
The MAGICFX® CO2GUN II is a handheld gun-shaped device for safe shooting of CO<sub>2</sub> into the air.

Before operation the MAGICFX® CO2GUN II needs to be connected to a CO<sub>2</sub> cylinder. When the user squeezes the handle, the CO<sub>2</sub> is released from the barrel. The shot is accompanied by a strong hissing sound and a white plume of smoke will be visible from the barrel.

## NOTICE

Visibility of the effect can vary due to air humidity. The output will be more visible when there is high absolute air humidity.

## 1.1 MAIN PARTS



Main parts

## 1.2 PRODUCT IDENTIFICATION

**MAG:CFX®** Build date: 1706  
MFX1119 - CO2GUN II Serial: ?????  
Weight: 2.7kg / 6.0lb.  
Consumption: Liquid CO<sub>2</sub> 0.5kg/s  
Output: Max. 8m



8 7 1 9 3 2 3 5 7 3 5 7 4

MAGIC FX B.V. Schouwrooij 27 5281RE Boxtel The Netherlands

Type plate

### 1.3 TECHNICAL DATA

<b>Product</b>	Product Name	MAGICFX® CO2GUN II	
	Product Code	MFX1119	
	Product Type	CO2 FX	
<b>Main Dimensions</b>	Length	572 mm	22.5 in
	Width	233.5 mm	9.2 in
	Height	75.7 mm	3 in
<b>Weight</b>	Empty weight	2.7 kg	6 lb
<b>Environment</b>	Minimum Temperature	-10 °C	14 °F
	Maximum Temperature	70 °C	158 °F
	Humidity (Relative)	20 % to 90 % (non condensing)	
	IEC 60529 (IP) Rating	IP12	
<b>Controlling</b>	Control Options	Manual	

Technical data

### 1.4 ACCESSORIES

Code	Product
MFX1114	CO <sub>2</sub> High Pressure Hose 3/8 Male - Female, 1.25 m
MFX1105	CO <sub>2</sub> High Pressure Hose 3/8 Male - Female, 2 m
MFX1106	CO <sub>2</sub> High Pressure Hose 3/8 Male - Female, 3 m
MFX1108	CO <sub>2</sub> High Pressure Hose 3/8 Male - Female, 10 m
MFX1109	CO <sub>2</sub> High Pressure Hose 3/8 Male - Female, 15 m
MFX1110	CO <sub>2</sub> 90 Degrees Connector 3/8
MFX1103	CO <sub>2</sub> Bottle to Hose Connector
MFX1115	CO <sub>2</sub> Bottle to Hose Connector 90 Degrees
MFX1121	CO <sub>2</sub> High Pressure Hose 3/8 Male - Female, 5 m
MFX1122	CO <sub>2</sub> High Pressure Hose 3/8 Male - Female, 20 m

Accessories

Please contact MAGIC FX for additional possibilities.

## 2 SHOOT SAFELY!

The MAGICFX® CO2GUN II has been designed and constructed in such a manner that it can be used safely. This applies to the use, the circumstances and the regulations as described in this documentation. Reading this documentation and following the instructions are therefore necessary for everyone who works with the MAGICFX® CO2GUN II.

The MAGICFX® CO2GUN II must be used in surroundings that:

- Have a stable temperature of between -10 and 70 °C.
- Have a relative humidity degree between 20 % and 90 % (non condensing).
- Are free of dust, corrosive gases and high concentrations of organic vapours.
- Are not situated in the vicinity of a source of vibration.

### 2.1 GENERAL SAFETY RULES

- Only authorised persons may work with the MAGICFX® CO2GUN II.
- Do not use the MAGICFX® CO2GUN II if there are people or animals in the direct output.
- Make sure that children, unauthorised people and animals do not obtain access to the MAGICFX® CO2GUN II.
- Do not remove any safeguards, safety caps and safety symbols.
- All required safety devices must be in good condition and function properly.
- Ensure sufficient lighting of the surroundings.
- Keep the workplace clean.

### 2.2 CO<sub>2</sub>

The MAGICFX® CO2GUN II uses liquid or gaseous CO<sub>2</sub> as input. The application of CO<sub>2</sub> involves serious risks. Make sure that you are well informed on these risks before installation and/or operation. Always use approved CO<sub>2</sub> cylinders, hoses and connections. Always consult your CO<sub>2</sub> supplier for regulations and instructions on safe installation and use.

MAGIC FX is not liable for unsafe situations, accidents and damage that are the result of incorrect working with CO<sub>2</sub> gas and CO<sub>2</sub> cylinders.

---

#### **⚠ WARNING**

Inadequate installation and/or operation of a CO<sub>2</sub> powered machine and CO<sub>2</sub> cylinders can lead to death or serious injury. Always follow the instructions from this manual, from your CO<sub>2</sub> supplier and from local authorities.

---

## 2.3 INDOOR USE

The MAGICFX® CO2GUN II is designed for outdoor use and use in well-ventilated indoor spaces. When used indoors, make sure you take the necessary preparations. These preparations could include, but are not limited to:

- Consulting your CO<sub>2</sub> supplier.
- Calculating the reduction of oxygen for the indoor space.
- Checking the location for spots where CO<sub>2</sub> could accumulate and taking preventive actions.
- Installing CO<sub>2</sub> monitoring devices that will warn for hazardous CO<sub>2</sub> levels.

---

### **⚠ DANGER**

Do not use the MAGICFX® CO2GUN II in poorly ventilated confined spaces. Exposure to high levels of CO<sub>2</sub> gas can cause symptoms like headache, nausea, loss of consciousness or even death.

---

## 2.4 NOISE LEVEL

The environmental noise level measured at 1 m (39.4 in) from the product is 103 dB(A). This level of noise is only reached during the short shooting instances. Therefore hearing protection is not necessary.


---

### **⚠ WARNING**

Do not operate the MAGICFX® CO2GUN II close to yourself or to others for a long period of time. If you experience any hearing loss or ringing in the ears, you should immediately stop using the unit.

---

## 2.5 SAFETY SYMBOLS

Symbol	Meaning	Position
	Read the manual carefully before use!	Top of the gun

---

Safety symbols



## 2.6 PRECAUTIONS FOR OPERATION

---

### **⚠ WARNING**

Using a damaged gun can lead to serious injury and property damage. Always inspect the gun thoroughly before operation.

---

### **⚠ WARNING**

Always hold the gun firmly with two hands while in a stable standing position. When fired a reactive force is produced, causing a backlash vibration. This can lead to injuries when the gun is released from the hands unintentionally or when the backlash causes the user to lose balance.

---

### **⚠ WARNING**

Missing or obscured safety symbols on the machine can lead to death or serious injury. Make sure all safety symbols are correctly in place, see section 2.5.

---

### **NOTICE**

During operation electrostatic discharge can occur when the machine is touched. Prevent the discomfort of a possible static shock by wearing gloves.

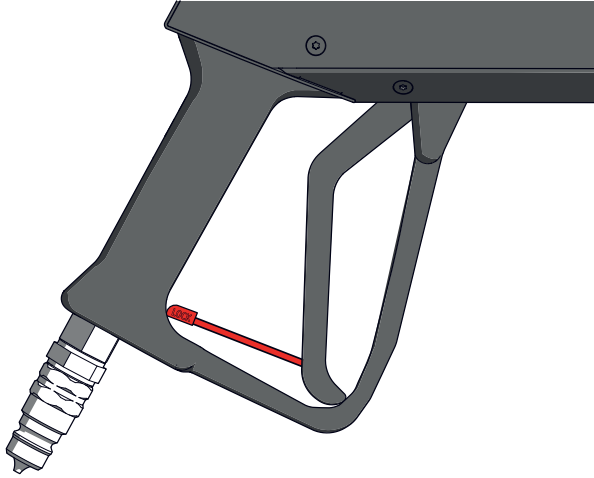
---

### 3 LET'S SHOOT!

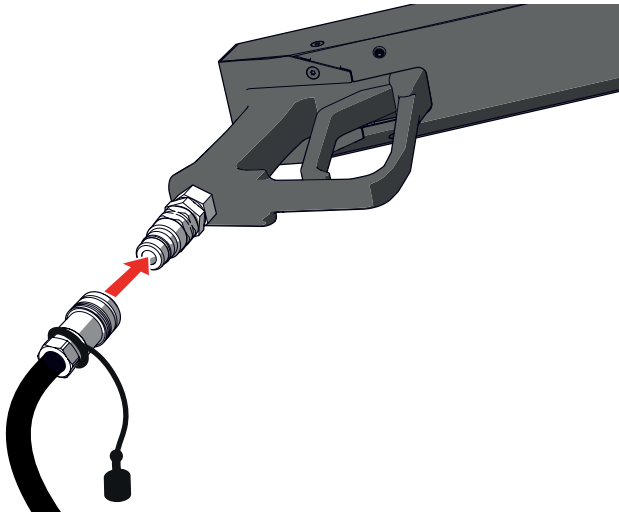
#### 3.1 CONNECT CO<sub>2</sub>

---

- 1 Make sure that the safety catch is in locking position.



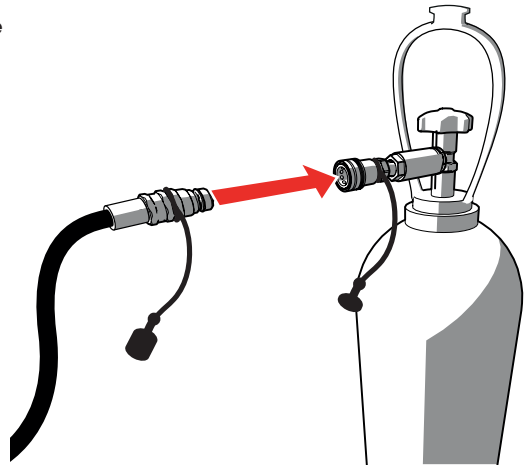
- 2 Connect the CO<sub>2</sub> hose to the CO<sub>2</sub> quick connector.



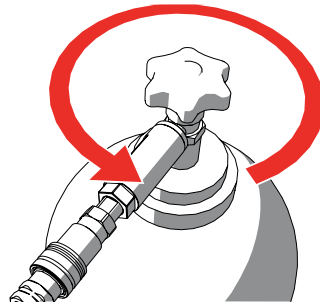
- 
- 3** Connect the CO<sub>2</sub> Bottle to Hose Connector to a CO<sub>2</sub> cylinder.



- 
- 4** Connect the CO<sub>2</sub> hose to the CO<sub>2</sub> Bottle to Hose Connector on the CO<sub>2</sub> cylinder.



- 
- 5** Open the CO<sub>2</sub> cylinder.

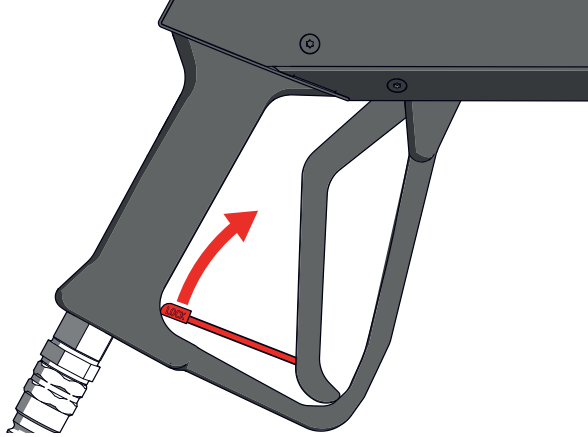


## 3.2 SHOOT

---

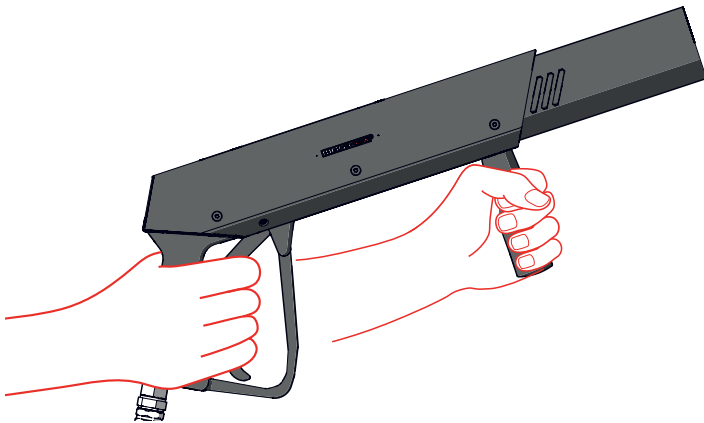
- 1 Carefully walk to the desired shooting position.
- 

- 2 Unlock the safety catch.

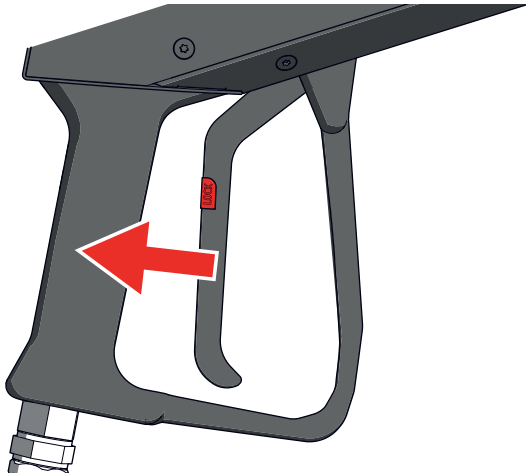


- 3 Firmly hold with two hands and aim above the audience.

Make sure there are no persons or animals in the direct output of the MAGICFX® CO2GUN II.



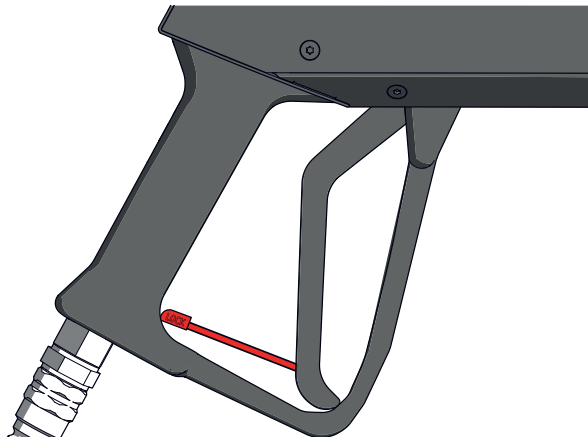
- 
- 4 When it's time to shoot, squeeze the handle.



- 
- 5 Enjoy the view.

- 
- 6 Release the handle to stop shooting.

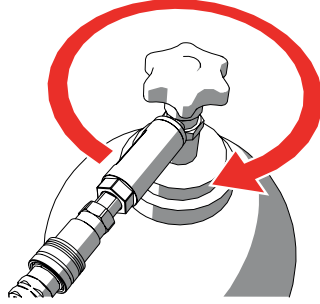
- 
- 7 Place the safety catch back in locking position.



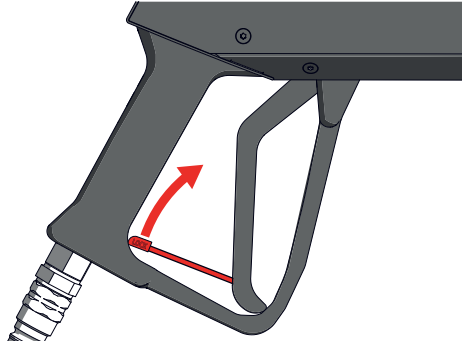
### 3.3 CLEAN UP

---

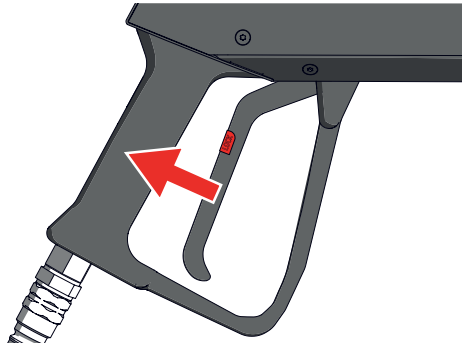
- 1 Close the connected CO<sub>2</sub> cylinder.



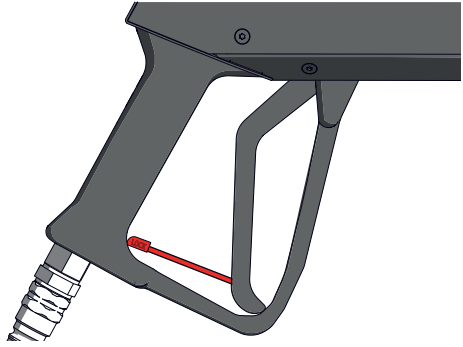
- 2 Unlock the safety catch.



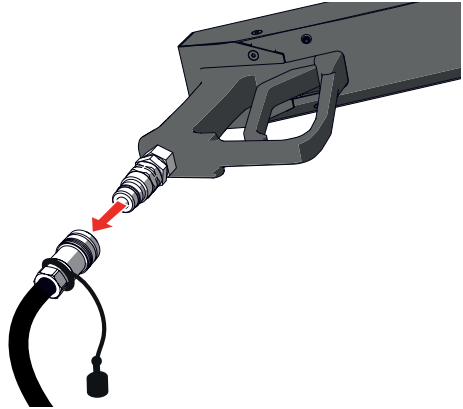
- 3 Squeeze the handle to release the remaining pressure.



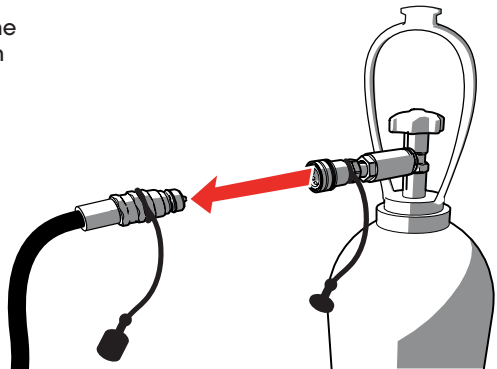
- 
- 4** Place the safety catch back in locking position.



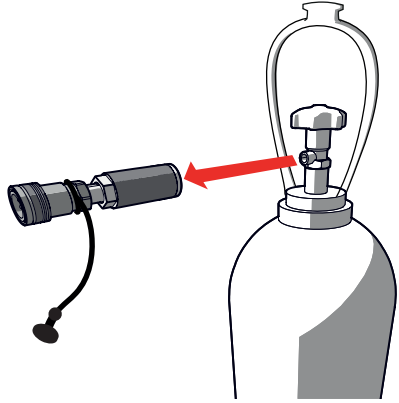
- 
- 5** Disconnect the CO<sub>2</sub> hose from the CO<sub>2</sub> quick connector on the gun.



- 
- 6** Disconnect the CO<sub>2</sub> hose from the CO<sub>2</sub> Bottle to Hose Connector on the CO<sub>2</sub> cylinder.



- 
- 7** Remove the CO<sub>2</sub> Bottle to Hose Connector from the cylinder.



- 
- 8** Store the gun.
-



## 4 TROUBLESHOOTING

Always contact MAGIC FX if any malfunctions or errors occur that cannot be solved with the instructions as described in this manual.

## 5 MAINTENANCE

To achieve the maximum service life of the MAGICFX® CO2GUN II you must regularly clean the MAGICFX® CO2GUN II and test if it is functioning correctly.

Contact MAGIC FX if the MAGICFX® CO2GUN II is not functioning correctly.

---

**⚠ DANGER**

Do not replace parts yourself. Always consult MAGIC FX if necessary.

---

## 6 DECLARATION OF CONFORMITY

MAGIC FX B.V. declares as manufacturer and composer of the technical construction file that the product with the following specifications:

Name machine : CO2GUN II  
Type : MFX1119  
Serial number : on product  
Year of construction : on product

Is in conformity with the minimal safety regulations as stated in the following directive(s):

- PED 2014/68/EU category SEP  
(products in this category cannot be provided with a CE-marking)

The following harmonized standards were applied:

- NEN-EN-ISO 12100:2010 Safety of machinery - General principles for design - Risk assessment and risk reduction.

- Original declaration of conformity  
 Translation of the original declaration of conformity

Name manufacturer : MAGIC FX BV  
Address : Schouwrooij 27, 5281 RE BOXTEL  
Country : The Netherlands

CEO : B. Veroude  
Date : 6-10-2017

Signature :





**MAG:CFX<sup>®</sup>**

[WWW.MAGICFX.EU](http://WWW.MAGICFX.EU)

